

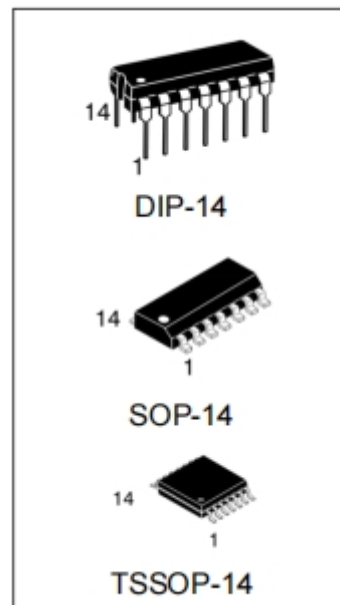
## General Description

The 74HC132 is identical in pinout to the LS132. The device nputs are compatible with standard CMOS outputs; with pull-up resistors, they are compatible with LSTTL outputs.

The HC132 can be used to enhance noise immunity or to square up slowly changing waveforms.

## FEATURES

- Output Drive Capability: 10 LSTTL Loads
- Outputs Directly Interface to CMOS, NMOS, and TTL
- Operating Voltage Range: 2.0 to 6.0 V
- Low Input Current: 1.0  $\mu$ A
- High Noise Immunity Characteristic of CMOS Devices
- In Compliance with the Requirements as Defined by JEDEC Standard No. 7A
- ESD Performance:
  - HBM > 2000 V;
  - Machine Model > 200 V
- Chip Complexity: 72 FETs or 18 Equivalent Gates
- These are Pb-Free Device



## Ordering Information

DEVICE	Package Type	MARKING	Packing	Packing Qty
74HC132M/TR	SOP-14	74HC132	REEL	2500pcs/reel
74HC132MT/TR	TSSOP-14	HC132	REEL	2500pcs/reel

## PIN CONFIGURATION

SOP-14/TSSOP-14

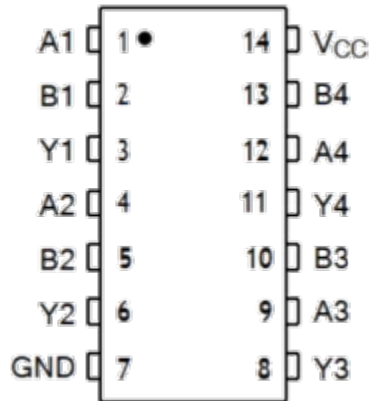
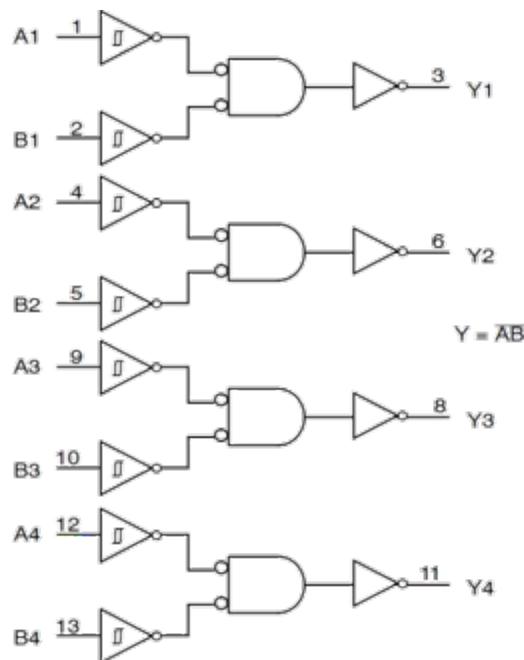


Figure 1. Pin Assignment



PIN 14 = V<sub>CC</sub> ;

PIN 7 = GND

Figure 2. Logic Diagram

## FUNCTION TABLE

Inputs		Output
A	B	Y
L	L	H
L	H	H
H	L	H
H	H	L

## MAXIMUM RATINGS

Symbol	Parameter	Value	Unit
V <sub>CC</sub>	Positive DC Supply Voltage	-0.5 to +7.0	V
V <sub>IN</sub>	Digital Input Voltage	-0.5 to +7.0	V
V <sub>OUT</sub>	DC Output Voltage	Output in 3-State High or Low State	-0.5 to +7.0 -0.5 to V <sub>CC</sub> + 0.5
I <sub>IK</sub>	Input Diode Current	-20	mA
I <sub>OK</sub>	Output Diode Current	±20	mA
I <sub>OUT</sub>	DC Output Current, per Pin	±25	mA
I <sub>CC</sub>	DC Supply Current, VCC and GND Pins	±75	mA
I <sub>GND</sub>	DC Ground Current per Ground Pin	±75	mA
T <sub>STG</sub>	Storage Temperature Range	-65 to +150	°C
T <sub>L</sub>	Lead Temperature, 1 mm from Case for 10 Seconds	245	°C
T <sub>J</sub>	Junction Temperature Under Bias	+125	°C
θ <sub>JA</sub>	Thermal Resistance	14-SOP 14-TSSOP	125 170
P <sub>D</sub>	Power Dissipation in Still Air at 85°C	SOP TSSOP	500 450
M <sub>SL</sub>	Moisture Sensitivity	Level 1	
F <sub>R</sub>	Flammability Rating	Oxygen Index: 30% – 35%	UL 94 V-0 @ 0.125 in
V <sub>ESD</sub>	ESD Withstand Voltage	Human Body Model (Note 1) Machine Model (Note 2)	>2000 >200
I <sub>Latchup</sub>	Latchup Performance	Above VCC and Below GND at 85°C (Note 3)	±300

Stresses exceeding Maximum Ratings may damage the device. Maximum Ratings are stress ratings only. Functional operation above the Recommended Operating Conditions is not implied. Extended exposure to stresses above the Recommended Operating Conditions may affect device reliability.

1. Tested to EIA/JESD22-A114-A.
2. Tested to EIA/JESD22-A115-A.
3. Tested to EIA/JESD78.

## RECOMMENDED OPERATING CONDITIONS

Symbol	Parameter	Min	Max	Unit
VCC	DC Supply Voltage (Referenced to GND)	2.0	6.0	V
VIN, VOUT	DC Input Voltage, Output Voltage (Referenced to GND)	0	VCC	V
TA	Operating Temperature, All Package Types	-40	+85	. C
tr, tf	Input Rise and Fall Time (Figure 3)	-	NoLimit (Note5)	ns

4. When  $V_{IN} \sim 0.5 V_{CC}$ ,  $I_{CC} \gg$  quiescent current.

5. Unused inputs may not be left open. All inputs must be tied to a high–logic voltage level or a low–logic input voltage level.

## DC ELECTRICAL CHARACTERISTICS (Voltages Referenced to GND)

Symbol	Parameter	Test Conditions	VCC (V)	Guaranteed Limit		Unit
				-40°C to 25°C	≤85°C	
VT+ max	Maximum Positive Going Input Threshold Voltage (Figure 5)	$V_{OUT} = 0.1 V$ $ I_{OUT}  \leq 20 \mu A$	2.0	1.5	1.5	V
			4.5	3.15	3.15	
			6.0	4.2	4.2	
VT+ min	Minimum Positive–Going Input Threshold Voltage (Figure 5)	$V_{OUT} = 0.1 V$ $ I_{OUT}  \leq 20 \mu A$	2.0	1.0	0.95	V
			4.5	2.3	2.25	
			6.0	3.0	2.95	
VT–max	Maximum Negative–Going Input Threshold Voltage (Figure 5)	$V_{OUT} = V_{CC} - 0.1 V$ $ I_{OUT}  \leq 20 \mu A$	2.0	0.9	0.95	V
			4.5	2.0	2.05	
			6.0	2.6	2.65	
VT–min	Minimum Negative–Going Input Threshold Voltage (Figure 5)	$V_{OUT} = V_{CC} - 0.1 V$ $ I_{OUT}  \leq 20 \mu A$	2.0	0.3	0.3	V
			4.5	0.9	0.9	
			6.0	1.2	1.2	
VHmax (Note 7)	Maximum Hysteresis Voltage (Figure 5)	$V_{OUT} = 0.1 V$ or $V_{CC} - 0.1 V$ $ I_{OUT}  \leq 20 \mu A$	2.0	1.2	1.2	V
			4.5	2.25	2.25	
			6.0	3.0	3.0	
VHmin (Note 7)	Minimum Hysteresis Voltage (Figure 5)	$V_{OUT} = 0.1 V$ or $V_{CC} - 0.1 V$ $ I_{OUT}  \leq 20 \mu A$	2.0	0.2	0.2	V
			4.5	0.4	0.4	
			6.0	0.5	0.5	
VOH	Minimum High–Level Output Voltage	$V_{IN} \leq V_{T- min}$ or $V_{T+ max}$ $ I_{OUT}  \leq 20 \mu A$	2.0	1.9	1.9	V
			4.5	4.4	4.4	
			6.0	5.9	5.9	
		$V_{IN} \leq -V_{T- min}$ or $V_{T+ max}$ $ I_{OUT}  \leq 4.0 mA$ $ I_{OUT}  \leq 5.2 mA$	4.5	3.98	3.84	
			6.0	5.48	5.34	

VOL	Maximum Low-Level Output Voltage	$V_{IN} \geq V_{T+max}$ $ I_{OUT}  \leq 20 \mu A$	2.0	0.1	0.1	V
			4.5	0.1	0.1	
		$V_{IN} \geq V_{T+max}$ $ I_{OUT}  \leq 4.0 mA$ $ I_{OUT}  \leq 2 mA$	4.5	0.26	0.33	
			6.0	0.26	0.33	
IIN	Maximum Input Leakage Current	$V_{IN} = V_{CC}$ or GND	6.0	$\pm 0.1$	$\pm 1.0$	$\mu A$
ICC	Maximum Quiescent Supply Current (per Package)	$V_{IN} = V_{CC}$ or GND $I_{OUT} = 0 \mu A$	6.0	2.0	20	$\mu A$

6.  $V_{Hmin} > (V_{T+min}) - (V_{T-max})$ ;  $V_{Hmax} = (V_{T+max}) + (V_{T-min})$ .

**AC ELECTRICAL CHARACTERISTICS** (CL = 50 pF, Input tr = tf = 6.0 ns)

Symbol	Parameter	VC C (V)	Guaranteed Limit		Unit
			-40°C to 25°C	≤85°C	
tPLH, tPHL	Maximum Propagation Delay, Input A or B to Output Y (Figures 3 and 4)	2.0	125	155	ns
		4.5	25	31	
		6.0	21	26	
tTLH, tTHL	Maximum Output Transition Time, Any Output (Figures 3 and 4)	2.0	75	95	ns
		4.5	15	19	
		6.0	13	16	
Cin	Maximum Input Capacitance	—	10	10	pF
CPD	Power Dissipation Capacitance(per Gate)(Note 10)	Typical@25°C,VCC=5.0V			pF
		24			

Used to determine the no-load dynamic power consumption:  $PD = CPD V_{CC}^2 f + ICC V_{CC}$

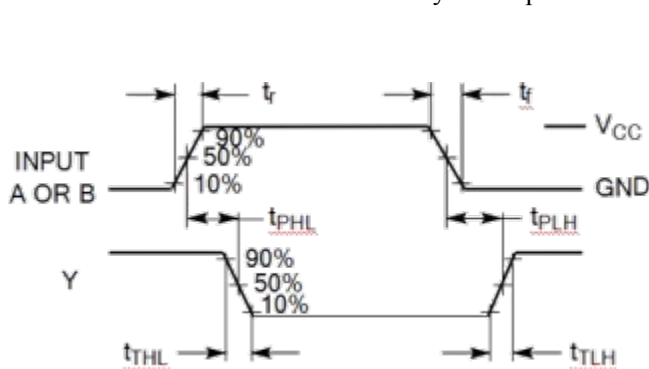


Figure 3. Switching Waveforms

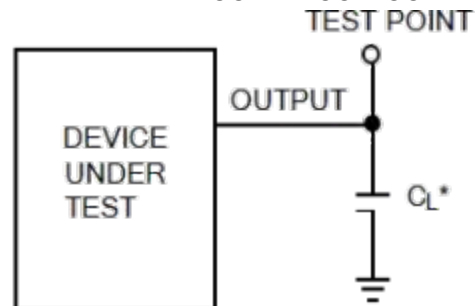


Figure 4. Test Circuit

\*Includes all probe and jig capacitance

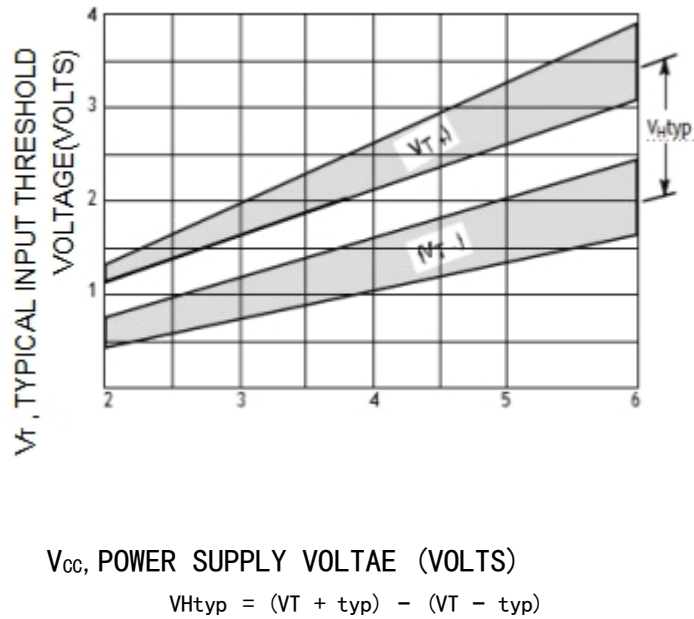
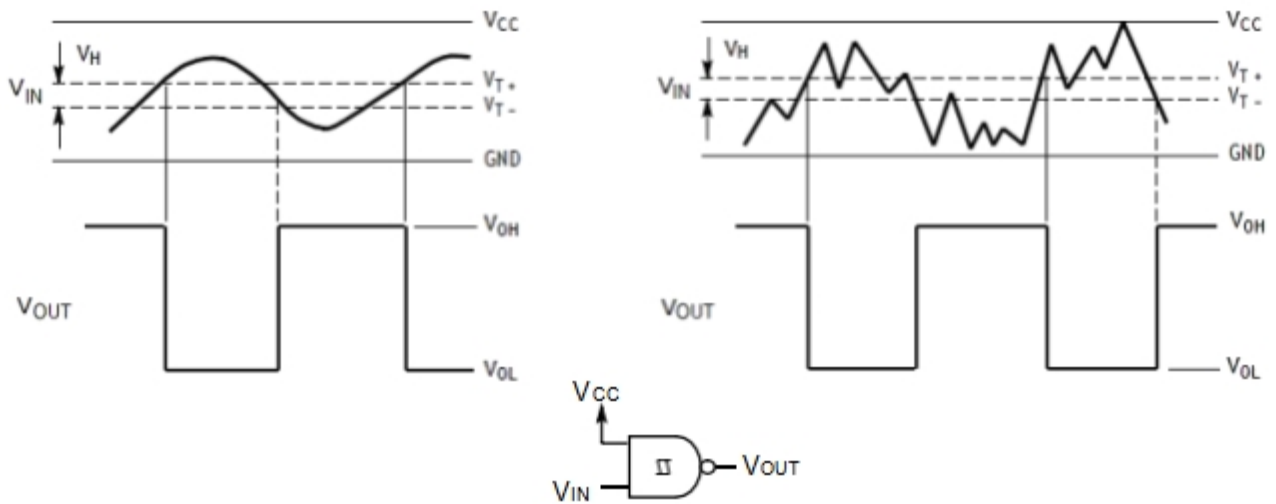


Figure 5. Typical Input Threshold,  $V_{T+}$ ,  $V_{T-}$  Versus Power Supply Voltage



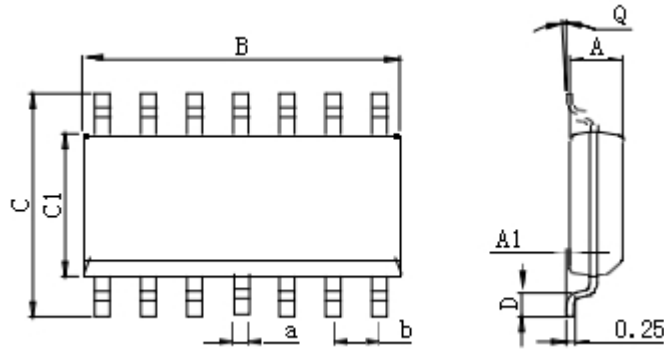
(A) A SCHMITT TRIGGER SQUARES UP INPUTS WITH SLOW RISE AND FALL TIMES

(B) A SCHMITT TRIGGER OFFERS MAXIMUM NOISE IMMUNITY

Figure 6. Typical Schmitt-Trigger Applications

## PHYSICAL DIMENSIONS

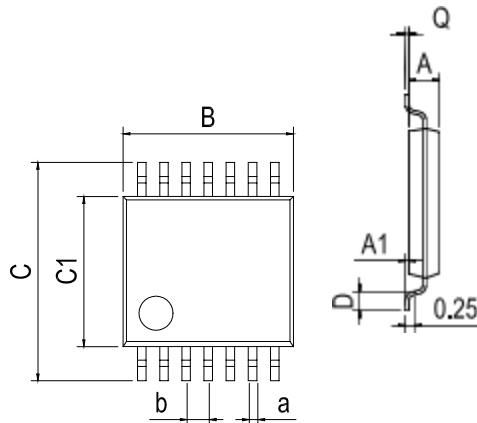
SOP-14



**Dimensions In Millimeters(SOP-14)**

Symbol :	A	A1	B	C	C1	D	Q	a	b
Min :	1.35	0.05	8.55	5.80	3.80	0.40	0.	0.35	1.27 BSC
Max :	1.55	0.20	8.75	6.20	4.00	0.80	8.	0.45	

TSSOP-14



**Dimensions In Millimeters(TSSOP-14)**

Symbol :	A	A1	B	C	C1	D	Q	a	b
Min :	0.85	0.05	4.90	6.20	4.30	0.40	0.	0.20	0.65 BSC
Max :	0.95	0.20	5.10	6.60	4.50	0.80	8.	0.25	

