

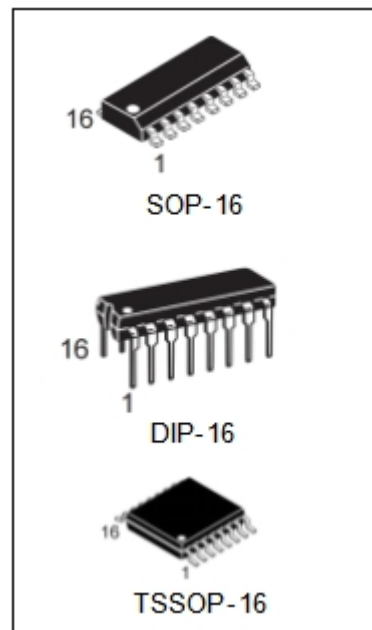
## General Description

The 74HC139 is identical in pinout to the LS139. The device inputs are compatible with standard CMOS outputs; with pullup resistors, they are compatible with LSTTL outputs.

This device consists of two independent 1-of-4 decoders, each of which decodes a two-bit Address to one-of-four active-low outputs. Active-low Selects are provided to facilitate the demultiplexing and cascading functions. The demultiplexing function is accomplished by using the Address inputs to select the desired device output, and utilizing the Select as a data input.

## Features

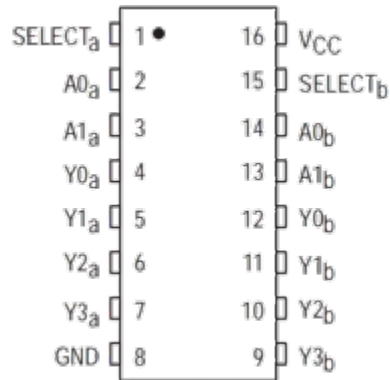
- Output Drive Capability: 10 LSTTL Loads
- Outputs Directly Interface to CMOS, NMOS and TTL
- Operating Voltage Range: 2.0 to 5.0 V
- High Noise Immunity Characteristic of CMOS Devices
- In Compliance with the Requirements Defined by JEDEC Standard No. 7A
- Chip Complexity: 100 FETs or 25 Equivalent Gates



## Package/Ordering Information

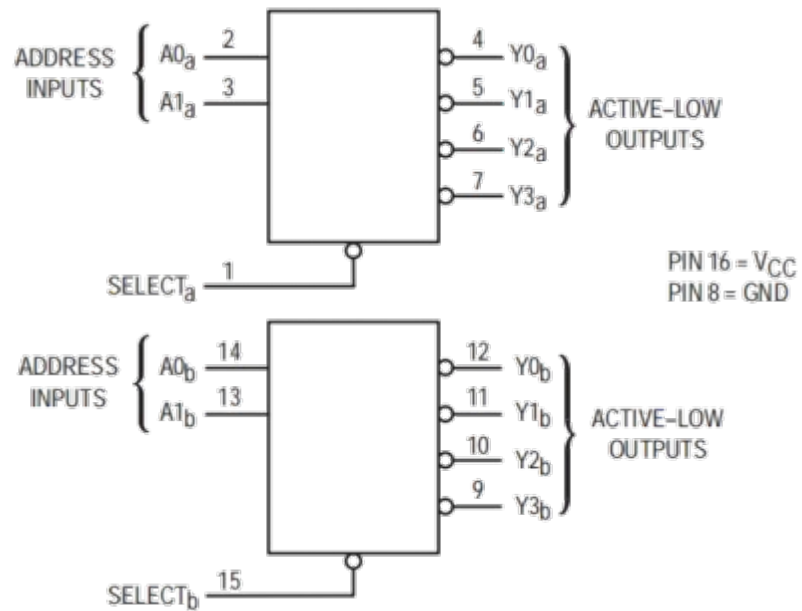
DEVICE	Package Type	MARKING	Packing	Packing Qty
74HC139N	DIP-16	74HC139	TUBE	1000pcs/Box
74HC139M/TR	SOP-16	74HC139	REEL	2500pcs/Reel
74HC139MT/TR	TSSOP-16	HC139	REEL	2500pcs/Reel

## Pin Assignment



DIP- 16/SOP- 16/TSSOP- 16

## Logic Diagram



## Function Table

Select	Inputs		Outputs			
	A1	A0	Y0	Y1	Y2	Y3
H	X	X	H	H	H	H
L	L	L	L	H	H	H
L	L	H	H	L	H	H
L	H	L	H	H	L	H
L	H	H	H		H	L

X = don' t care

## Absolute Maximum Ratings

Symbol	Parameter	Value	Unit
VCC	DC Supply Voltage (Referenced to GND)	- 0.5 to + 7.0	V
Vin	DC Input Voltage (Referenced to GND)	- 1.5 to VCC + 1.5	V
Vout	DC Output Voltage (Referenced to GND)	- 0.5 to VCC + 0.5	V
Iin	DC Input Current, per Pin	20	mA
Iout	DC Output Current, per Pin	25	mA
ICC	DC Supply Current, VCC and GND Pins	50	mA
PD	Power Dissipation in Still Air, Plastic DIP† SOP Package†	750 500	mW
Tstg	Storage Temperature	- 65 to + 150	°C
TL	Lead Temperature, 1 mm from Case for 10 Seconds (Plastic DIP or SOP Package)	245	°C

\*Maximum Ratings are those values beyond which damage to the device may occur. Functional operation should be restricted to the Recommended Operating Conditions.

†Derating — Plastic DIP: - 10 mW/°C from 65 to 125°C  
SOP Package: - 7 mW/°C from 65 to 125°C

## Recommended Operating Conditions

Symbol	Parameter	Min	Max	Unit
VCC	DC Supply Voltage (Referenced to GND)	2.0	5.0	V
Vin, Vout	DC Input Voltage, Output Voltage (Referenced to GND)	0	VCC	V
TA	Operating Temperature, All Package Types	-40	+ 85	°C
tr, tf	Input Rise and Fall Time(Figure 1)			
	VCC = 2.0 V	0	1000	ns
	VCC = 4.5 V		500	
	VCC = 5.0 V		400	

## Dc Electrical Characteristics (Voltages Referenced to GND)

Symbol	Parameter	Test Conditions	VCC V	Guaranteed Limit			Unit
				-40 to25°C	85°C	125°C	
VIH	Minimum High–Level InputVoltage	Vout = 0.1 V or VCC – 0.1 V  Iout  20µA	2.0	1.5	1.5	1.5	V
			4.5	3.15	3.15	3.15	
			5.0	4.2	4.2	4.2	
VIL	Maximum Low–Level InputVoltage	Vout = 0.1 V or VCC – 0.1 V  Iout  20µA	2.0	0.5	0.5	0.5	V
			4.5	1.35	1.35	1.35	
			5.0	1.8	1.8	1.8	
VOH	Minimum High– Level OutputVoltage	Vin = VIH or VIL  Iout  20µA	2.0	1.9	1.9	1.9	V
			4.5	4.4	4.4	4.4	
		Vin = VIH or VIL  Iout  4.0 mA  Iout  5.2 mA	4.5	3.98	3.84	3.70	
			5.0	5.48	5.34	5.20	
VOL	Maximum Low– Level OutputVoltage	Vin = VIH or VIL  Iout  20µA	2.0	0.1	0.1	0.1	V
			4.5	0.1	0.1	0.1	
		Vin = VIH or VIL  Iout  4.0 mA  Iout  5.2 mA	4.5	0.26	0.33	0.40	
			5.0	0.26	0.33	0.40	
Iin	Maximum Input Leakage Current	Vin = VCC or GND	5.0	±0.1	±1.0	±1.0	µA
dICC	Maximum Quiescent Supply Current (per Package)	Vin = VCC or GND Iout = 0 µA	5.0	4	40	160	µA

**Ac Electrical Characteristics** (CL = 50 pF, Input tr = tf = 6.0 ns)

Symbol	Parameter	V C C V	Guaranteed Limit			Unit
			-40 to25°C	85°C	125°C	
tPLH, tPHL	Maximum Propagation Delay, Select to Output Y(Figures 1 and 3)	2.0	115	145	175	ns
		4.5	23	29	35	
		5.0	20	25	30	
tPLH, tPHL	Maximum Propagation Delay, Input A to Output Y(Figures 2 and 3)	2.0	115	145	175	ns
		4.5	23	29	35	
		5.0	20	25	30	
tTLH, tTHL	Maximum Output Transition Time, Any Output(Figures 1 and 3)	2.0	75	95	110	ns
		4.5	15	19	22	
		5.0	13	16	19	
Cin	Maximum Input Capacitance	—	10	10	10	pF
CPD	Power Dissipation Capacitance (Per Decoder)*	<b>Typical @ 25°C, VCC = 5.0 V</b>			pF	
		55				

**Switching Waveforms**

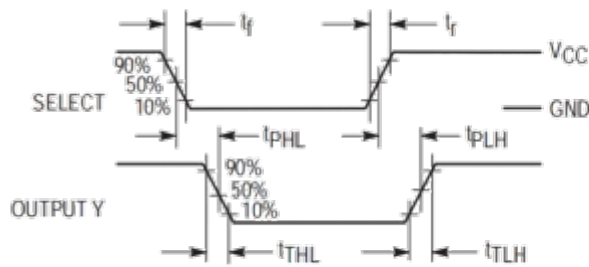


Figure 1.

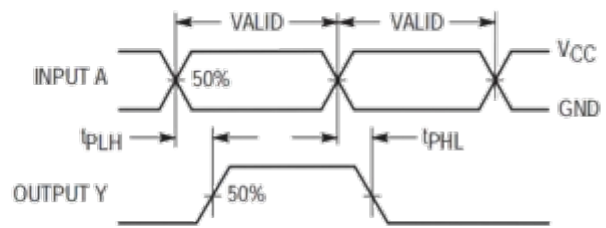
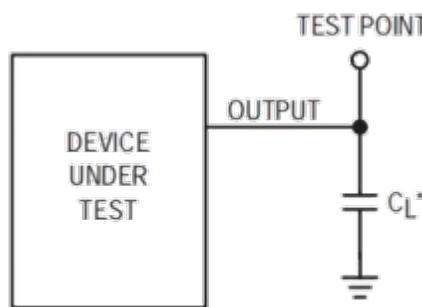


Figure 2.



\*Includes all probe and jig capacitance

Figure 3. Test Circuit

## Pin Descriptions

### ADDRESS INPUTS

**A0a, A1a, A0b, A1b (Pins 2, 3, 14, 13)**

Address inputs. These inputs, when the respective 1-of-4 decoder is enabled, determine which of its four active-low outputs is selected.

### CONTROL INPUTS

**Selecta, Selectb (Pins 1, 15)**

Active-low select inputs. For a low level on this input, the outputs for that particular decoder follow the Address inputs. A high level on this input forces all outputs to a high level.

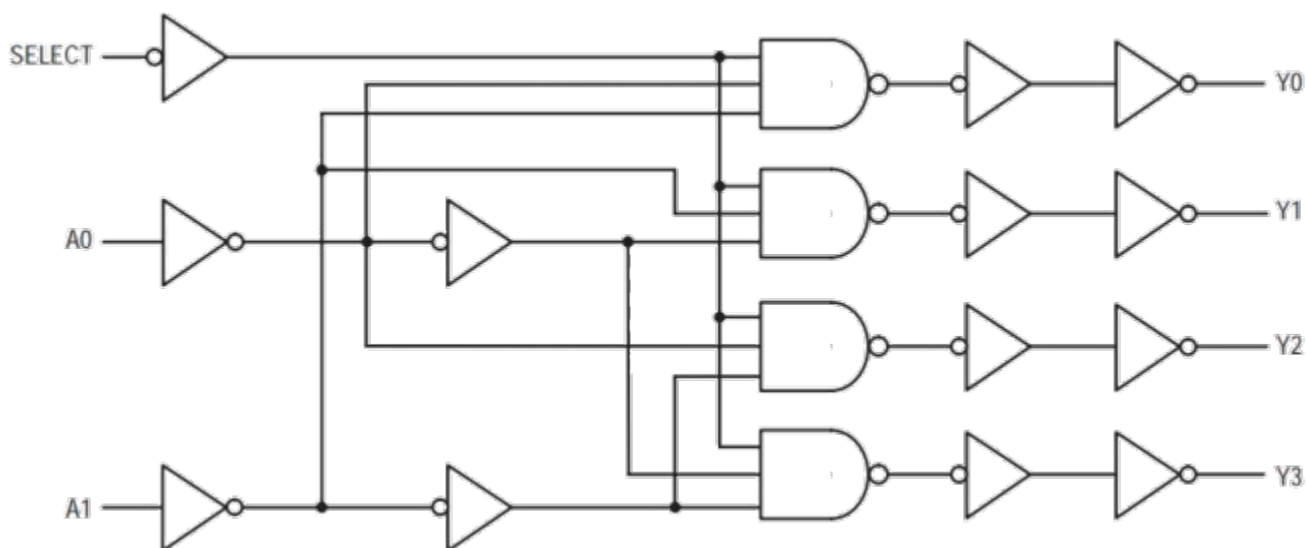
### OUTPUTS

**Y0a – Y3a, Y0b – Y3b (Pins 4 – 7, 12, 11, 10, 9)**

Active-low outputs. These outputs assume a low level when addressed and the appropriate Select input is active. These outputs remain high when not addressed or the appropriate Select input is inactive.

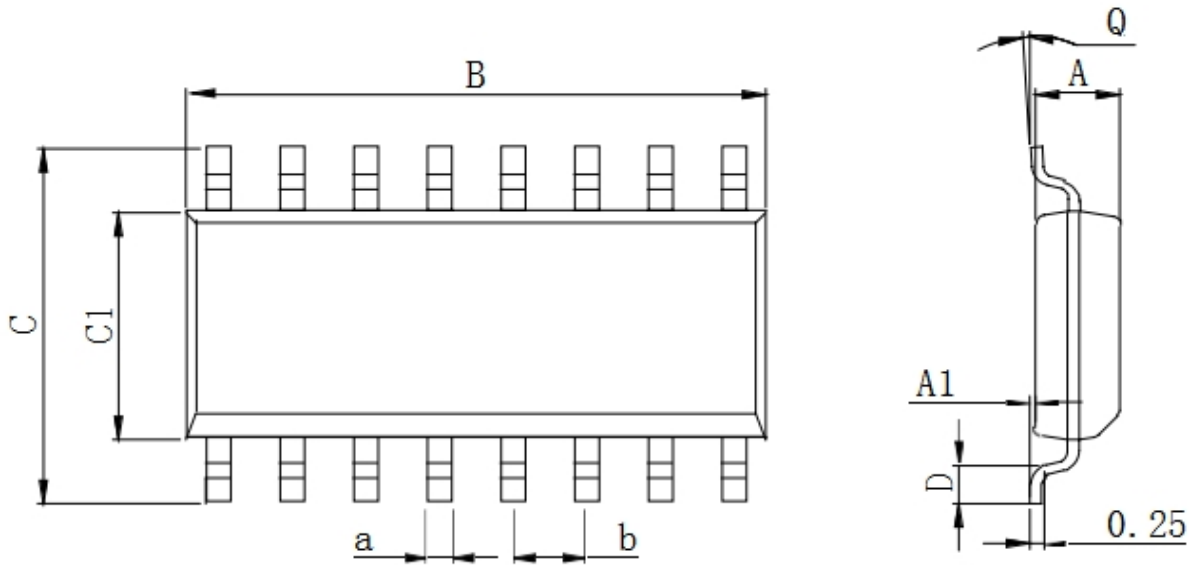
## EXPANDED LOGIC DIAGRAM

( 1/2 OF DEVICE )



## Physical Dimensions

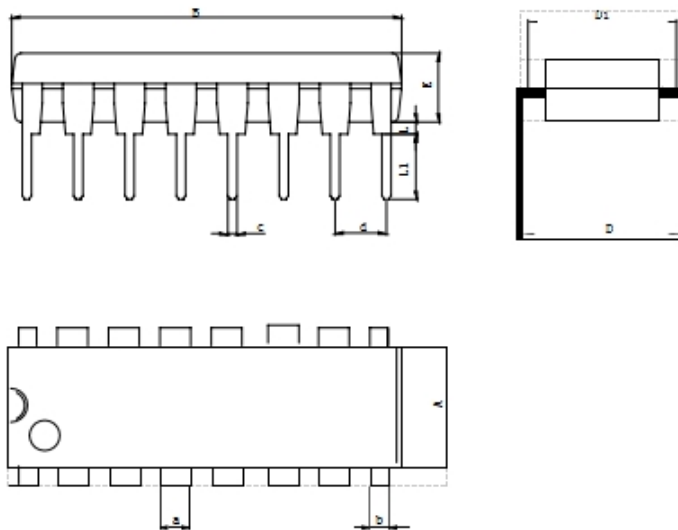
SOP-16



Dimensions In Millimeters(SOP-16)

Symbol :	A	A1	B	C	C1	D	Q	a	b
Min :	1.35	0.05	9.80	5.80	3.80	0.40	0°	0.35	1.27 BSC
Max :	1.55	0.20	10.0	6.20	4.00	0.80	8°	0.45	

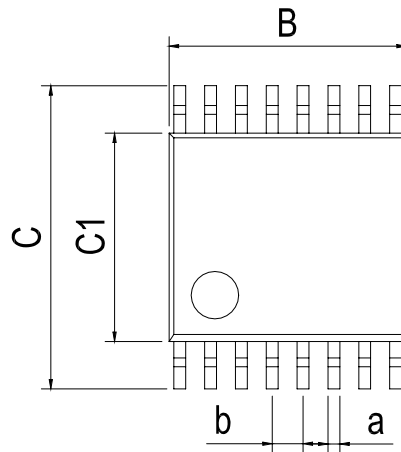
DIP-16



Dimensions In Millimeters(DIP-16)

Symbol :	A	B	D	D1	E	L	L1	a	b	c	d
Min :	6.10	18.94	8.10	7.42	3.10	0.50	3.00	1.50	0.85	0.40	2.54 BSC
Max :	6.68	19.56	10.9	7.82	3.55	0.70	3.60	1.55	0.90	0.50	

**TSSOP-16**



Dimensions In Millimeters(TSSOP-16)									
Symbol :	A	A1	B	C	C1	D	Q	a	b
Min :	0.85	0.05	4.90	6.20	4.30	0.40	0°	0.20	0.65 BSC
Max :	0.95	0.20	5.10	6.60	4.50	0.80	8°	0.25	