

## General Description

The Device is a monolithic integrated high voltage, high current four channel driver designed to accept standard DTL or TTL logic levels and drive inductive loads (such as relays solenoids, DC and stepping motors) and switching power transistors.

To simplify use as two bridges each pair of channels is equipped with an enable input. A separate supply input is provided for the logic, allowing operation at a lower voltage and internal clamp diodes are included.

This device is suitable for use in switching applications at frequencies up to 5 kHz.

The L293D is assembled in a 16 lead plastic package which has 4 center pins connected together and used for heatsinking.

The L293DD is assembled in a 20 lead surface mount which has 8 center pins connected together and used for heatsinking.

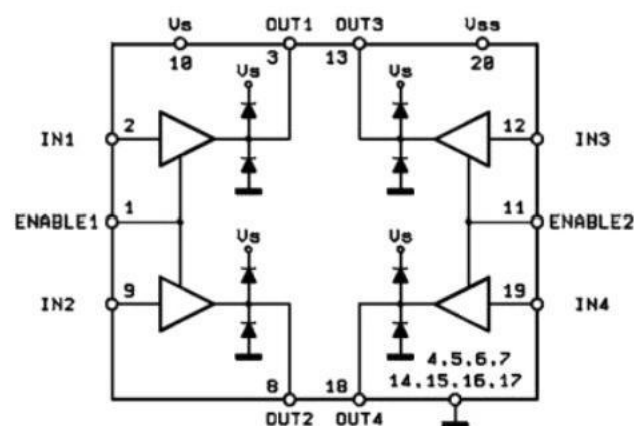
## FEATURES

- 600ma Output Current Capability Per Channel
- 1.2A Peak Output Current (Non Repetitive) Per Channel
- Enable Facility Overtemperature Protection
- Logical "0" Input Voltage Up To 1.5 V (High Noise Immunity)
- Internal Clamp Diodes

## ORDERING INFORMATION

DEVICE	Package Type	MARKING	Packing	Packing Qty
L293DN	DIP-16	L293D	TUBE	1000pcs/box
L293DDM/TR	SOP-20	L293D	REEL	2000pcs/reel

## BLOCK DIAGRAM

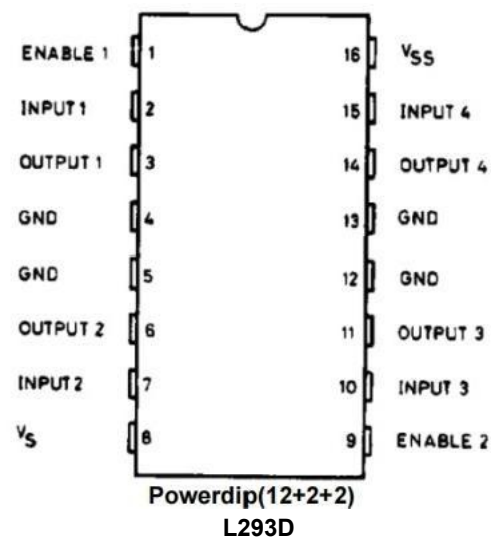
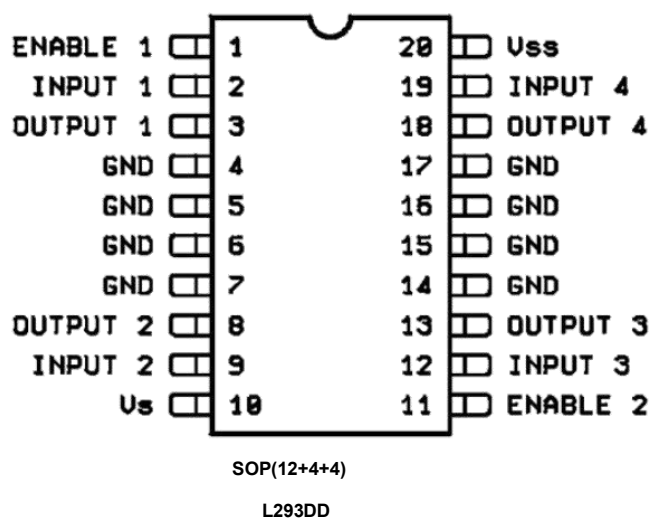


## ABSOLUTE MAXIMUM RATINGS

Symbol	Parameter	Value	Unit
Vs	Supply Voltage	36	V
Vss	Logic Supply Voltage	36	V
Vi	Input Voltage	7	V
Ven	Enable Voltage	7	V
I <sub>o</sub>	Peak Output Current (100 s non repetitive)	1.2	A
P <sub>tot</sub>	Total Power Dissipation at T <sub>pins</sub> =90°C	4	W
T <sub>L</sub>	Lead Temperature(Soldering,10 seconds)	245	°C
T <sub>stg</sub> , T <sub>j</sub>	Storage and Junction Temperature	-40~150	°C
T <sub>A</sub>	Operating Temperature Range	-20~85	°C

**Note:** Absolute Maximum Ratings indicate limits beyond which damage to the device may occur. Operating Ratings indicate conditions for which the device is intended to be functional, but specific performance is not ensured.

## PIN CONNECTIONS (Top view)



## THERMAL DATA

Symbol	Description		DIP	SOP	Unit
R <sub>thj-pins</sub>	Thermal Resistance Junction-pins	max.	—	14	°C/W
R <sub>thi-amb</sub>	Thermal Resistance junction-ambient	max.	80	50(*)	°C/W
R <sub>thi-case</sub>	Thermal Resistance Junction-case	max.	14	—	

(\*)With 6sq.cm on board heatsink.

ELECTRICAL CHARACTERISTICS (for each channel,  $V_S=24V$ ,  $V_{SS}=5V$ ,  $T_{amb}=25\text{ }^\circ\text{C}$ , unless otherwise specified)

Symbol	Parameter	Test Conditions	Min.	Typ.	Max.	Unit
$V_S$	Supply Voltage (pin 10)		$V_{SS}$		36	V
$V_{SS}$	Logic Supply Voltage (pin 20)		4.5		36	V
$I_S$	Total Quiescent Supply Current	$V_i=L; I_o=0; V_{en}=H$		2	6	mA
	(pin 10)	$V_i=H; I_o=0; V_{en}=H$		16	24	mA
		$V_{en}=L$			4	mA
$I_{SS}$	Total Quiescent Logic Supply	$V_i=L; I_o=0; V_{en}=H$		44	60	mA
	Current (pin 20)	$V_i=H; I_o=0; V_{en}=H$		16	22	mA
		$V_{en}=L$		16	24	mA
$V_L$	Input Low Voltage (pin 2,9,12,19)		-0.3		1.5	V
$V_{iH}$	Input High Voltage (pin 2,9,12,19)	$V_{SS} - 7\text{ V}$	2.3		$V_{SS}$	V
		$V_{SS} > 7\text{ V}$	2.3		7	V
$I_{\mu}$	Low Voltage Input Current (pin 2,9,12,19)	$V_L=1.5\text{ V}$			-10	$\mu\text{A}$
$I_H$	High Voltage Input Current (pin 2,9,12,19)	$2.3\text{ V } V_H \text{ } V_{SS} - 0.6\text{ V}$		30	100	$\mu\text{A}$
$V_{enL}$	Enable Low Voltage (pin 1,11)		-0.3		1.5	V
$V_{enH}$	Enable High Voltage	$V_{SS} - 7\text{ V}$	2.3		$V_{SS}$	V
	(pin 1,11)	$V_{SS} > 7\text{ V}$	2.3		7	V
$I_{enL}$	Low Voltage Enable Current (pin 1,11)	$V_{enL}=1.5\text{ V}$		-30	-100	$\mu\text{A}$
$I_{enH}$	High Voltage Enable Current (pin 1,11)	$2.3\text{ V } V_{enH} \text{ } V_{SS} - 0.6\text{ V}$			$\pm 10$	$\mu\text{A}$
$V_{CE(sat)H}$	Source Output Saturation Voltage (pins 3,8,13,18)	$I_o = -0.6\text{ A}$		1.4	1.8	V
$V_{CE(sat)L}$	Sink Output Saturation Voltage (pins 3,8,13,18)	$I_o = +0.6\text{ A}$		1.2	1.8	V
$V_F$	Clamp Diode Forward Voltage	$I_o = 600\text{ nA}$		1.3		V
$t_r$	Rise Time()	$0.1\text{ to } 0.9\text{ } V_o$		250		ns
$t_f$	Fall Time(*)	$0.9\text{ to } 0.1\text{ } V_o$		250		ns
$t_{on}$	Turn-on Delay(*)	$0.5\text{ } V_{ito} \text{ } 0.5\text{ } V_o$		750		ns
$t_{off}$	Turn-off Delay()	$0.5\text{ V}; t_o \text{ } 0.5\text{ } V_o$		200		ns

(\*) See fig.1.

### TRUTH TABLE(one channel)

Input	Enable (*)	Output
H	H	H
L	H	L
H	L	Z
L	L	Z

Z=High output impedance

(\*)Relative to the considered channel

### Figure 1:Switching Times

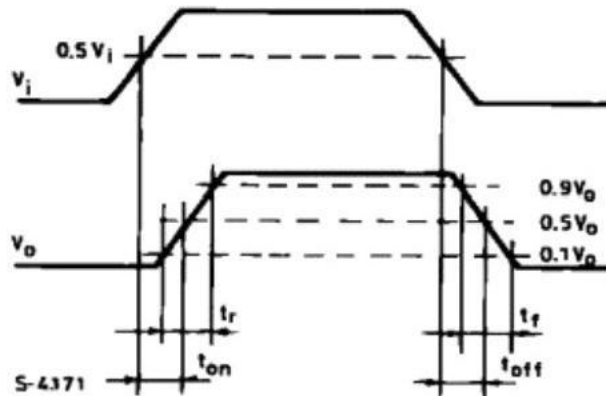
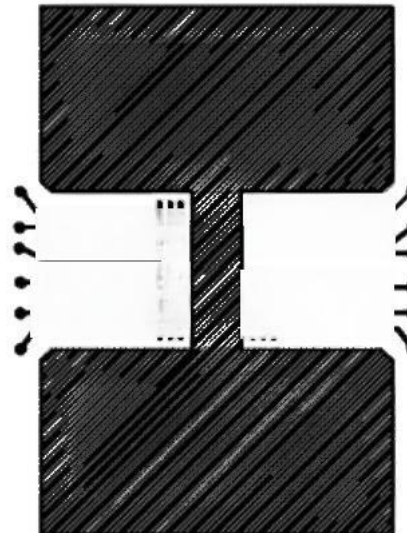
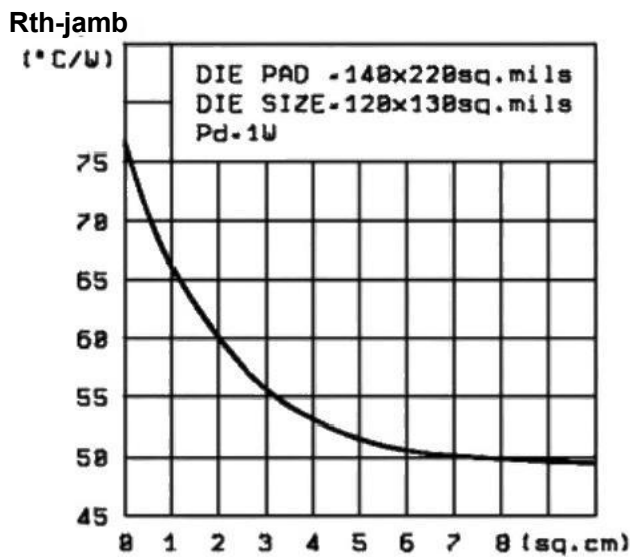
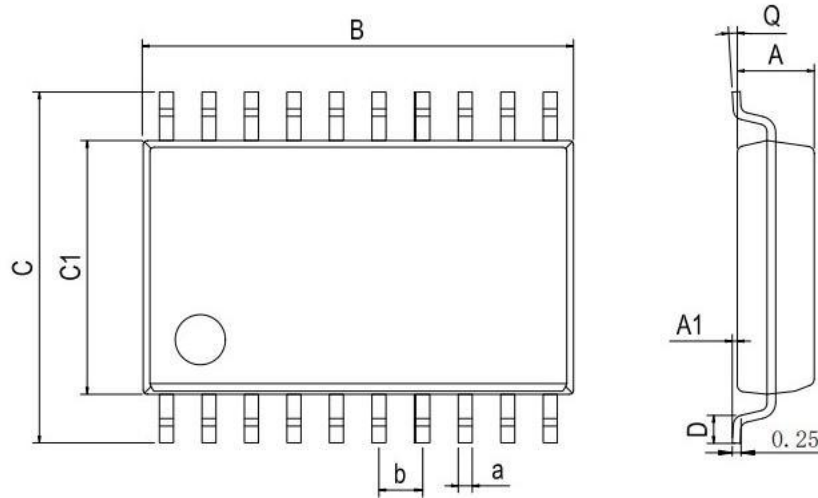


Figure 2: Junction to ambient thermal resistance vs.area on board heatsink (SOP 12+4+4 package)



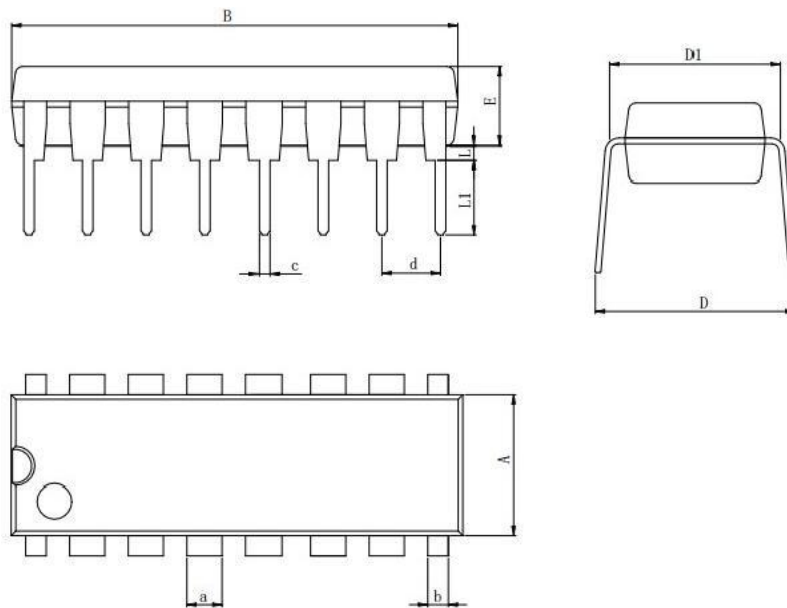
PHYSICAL DIMENSIONS

SOP-20



Dimensions In Millimeters(SOP-20)									
Symbol:	A	A1	B	C	C1	D	Q	a	b
Min:	2.10	0.05	12.50	10.21	7.40	<b>0.45</b>	0°	<b>0.35</b>	1.27 BSC
Max	2.50	0.25	13.00	10.61	7.60	<b>1.25</b>	8°	<b>0.45</b>	

DIP-16



Dimensions In Millimeters(DIP-16)											
Symbol:	A	B	D	D1	E	L	L1	a	b	C	d
Min:	6.10	18.94	8.10	7.42	3.10	0.50	3.00	<b>1.50</b>	<b>0.85</b>	<b>0.40</b>	2.54 BSC
Max:	6.68	19.56	10.9	7.82	3.55	0.70	3.60	<b>1.55</b>	0.90	<b>0.50</b>	