

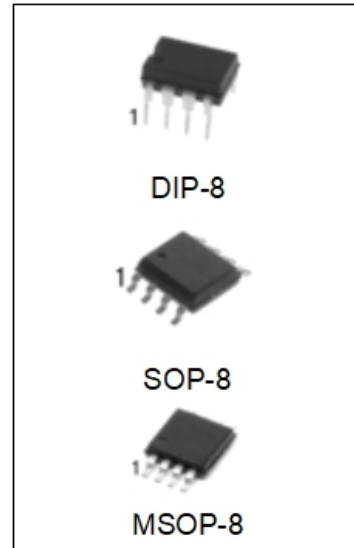
## General Description

The MC34063 series is a monolithic control circuit containing primary functions required for DC-to-DC converters.

These devices consist of an internal temperature-compensated reference, comparator, controlled duty cycle oscillator with an active current limit circuit, driver and high current output switch. This series was specifically designed to be incorporated in step-down and step-up and voltage-inverting applications with a minimum number of external components.

## Features

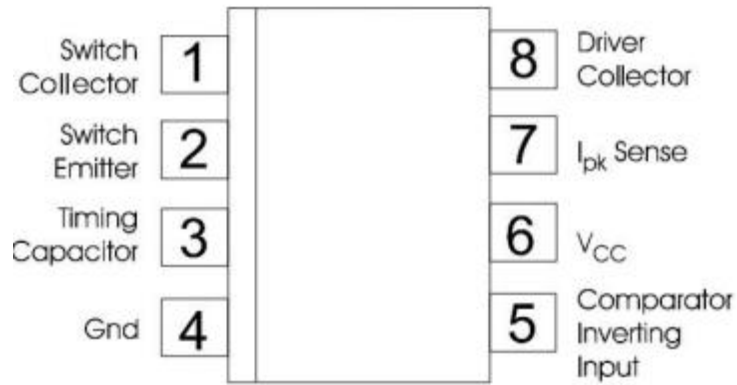
- Operation from 3.0V to 40V input
- Low standby current
- Current limiting
- Output switch current up to 1.5A
- Adjustable output voltage
- Operation at frequencies up to 100kHz
- Precision reference (2%)



## Order Information

DEVICE	Package Type	MARKING	Packing	Packing Qty
MC34063N	DIP-8	MC34063	TUBE	2000pcs/box
MC34063M/TR	SOP-8	MC34063	REEL	2500pcs/reel
MC34063MM/TR	MSOP-8	34063	REEL	2500pcs/reel

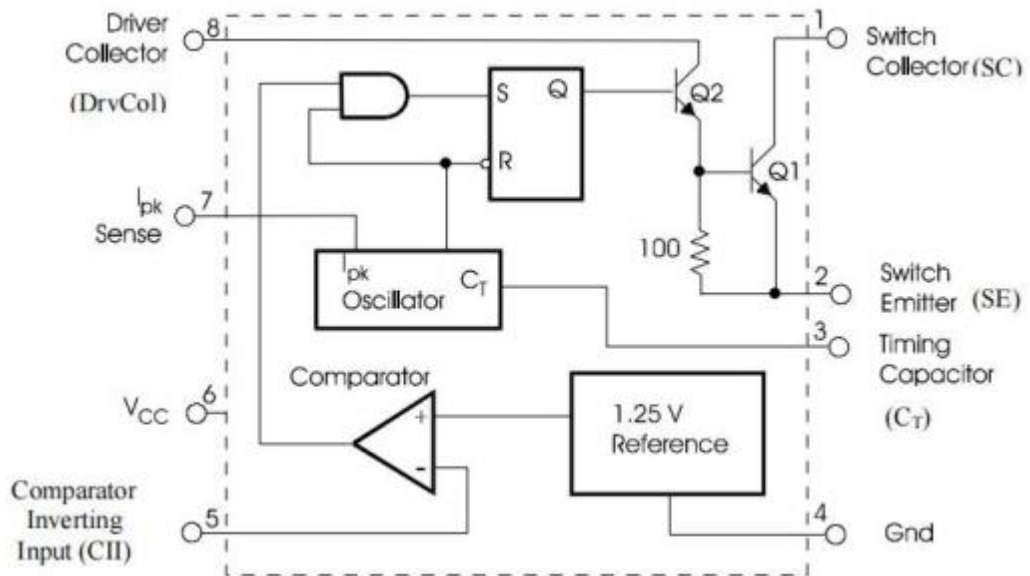
## PIN CONNECTIONS



DIP-8/SOP-8/MSOP-8

(Top view)

## SCHEMATIC DIAGRAM



(Bottom view)

## ABSOLUTE MAXIMUM RATINGS

Rating	Symbol	Value	Unit
Power supply voltage	$V_{CC}$	40	V
Comparator input voltage range	$V_{IR}$	-0.3 to +40	V
Switch collector voltage	$V_{C(Switch)}$	40	V
Switch emitter voltage (VPin1=40V)	$V_{E(Switch)}$	40	V
Switch collector-to-emitter voltage	$V_{CE(Switch)}$	40	V
Driver collector voltage	$V_{C(Driver)}$	40	V
Driver collector current (Note 1)	$I_{C(Driver)}$	100	mA
Switch current	$I_{Sw}$	1.5	A
Operating junction temperature	$T_J$	+150	°C
Operating ambient temperature range	$T_A$	-40 to +85	°C
Storage temperature range	$T_{STG}$	-65 to + 150	°C
ESD (HBM)		2500	V
Lead Temperature (Soldering, 10 seconds)	$T_L$	245	°C

**Note:** Absolute Maximum Ratings indicate limits beyond which damage to the device may occur. Operating Ratings indicate conditions for which the device is intended to be functional, but specific performance is not ensured.

## ELECTRICAL CHARACTERISTICS ( $V_{CC}=5.0V$ , $T_A=T_{Low}$ to $T_{High}$ , unless otherwise specified.)

Characteristics	Symbol	Min	Typ	Max	Unit
<b>OSCILLATOR</b>					
Frequency (VPin5=0V, $C_T=1.0nF$ , $T_A=25.0$ °C)	fosc	24	33	42	kHz
Charge current ( $V_{CC}=5.0V$ to 40V, $T_A=25.0$ °C)	Ichg	24	35	42	μA
Discharge current ( $V_{CC}=5.0V$ to 40V, $T_A=25.0$ °C)	Idischg	140	220	260	μA
Discharge-to-charge current ratio (Pin7 to $V_{CC}$ , $T_A=25.0$ °C)	Idischg/Ichg	5.2	6.5	7.5	-
Current limit sense voltage (Ichg=Idischg, $T_A=25.0$ °C)	Vlpk(sense)	250	300	350	mV
<b>OUTPUT SWITCH (Note 2)</b>					
Saturation voltage, Darlington connection ISw= 1.0A, Pins1, 8 connected	$V_{CE(sat)}$	-	1.0	1.3	V
Saturation voltage, Darlington connection (ISw= 1.0A, $R_{Pin8}=82\Omega$ to $V_{CC}$ , forced $\beta=20$ )	$V_{CE(sat)}$	-	0.45	0.7	V
DC current gain (ISw= 1.0A, $V_{CE}=5.0$ , $T_A=25.0$ °C)	$h_{FE}$	50	75	-	-
Collector off-state current ( $V_{CE}=40V$ )	$I_{C(off)}$	-	1.0	100	μA
<b>COMPARATOR</b>					
Threshold voltage	$V_{th}$	1.225 1.21	1.25 -	1.275 1.29	V
Threshold voltage line regulation( $V_{CC}=3.0V$ to 40V)	Reg <sub>line</sub>	-	1.4	5.0	mV
Input bias current( $V_{in}=0V$ )	$I_{IB}$	-	-20	-400	nA
<b>TOTAL DEVICE</b>					
Supply current ( $V_{CC}=5.0V$ to 40V, $C_T=1.0nF$ , Pin7= $V_{CC}$ , VPin5> $V_{th}$ , Pin2 =Gnd, remaining pins - open	$I_{CC}$	-	-	4.0	mA

**Notes:** 1. Maximum package power dissipation limits must be observed.

2. Low duty cycle pulse techniques are used during the test to maintain the junction temperature as close to the ambient temperature as possible.

# TYPICAL PERFORMANCE CHARACTERISTICS

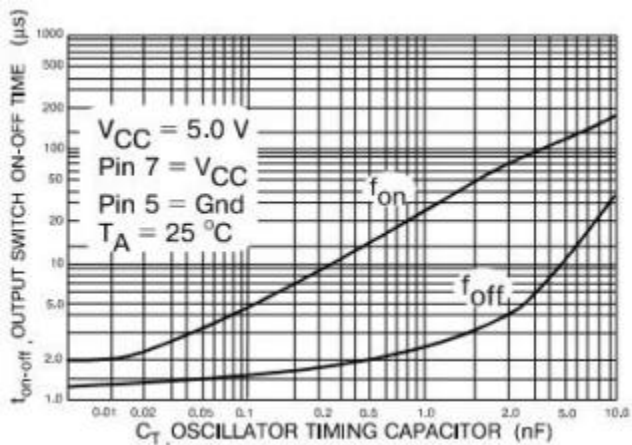


Fig.1. Output Switch on-off time versus Oscillator timing capacitor

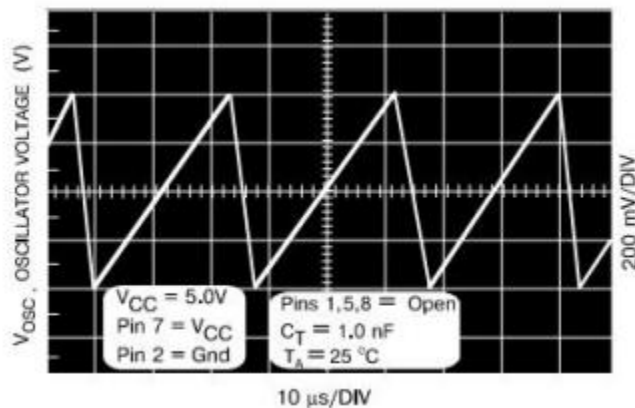


Fig.2. Timing capacitor waveform

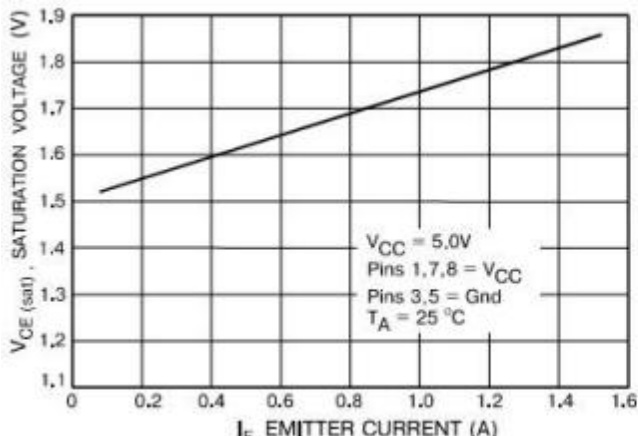


Fig.3. Emitter follower configuration output saturation voltage versus Emitter current

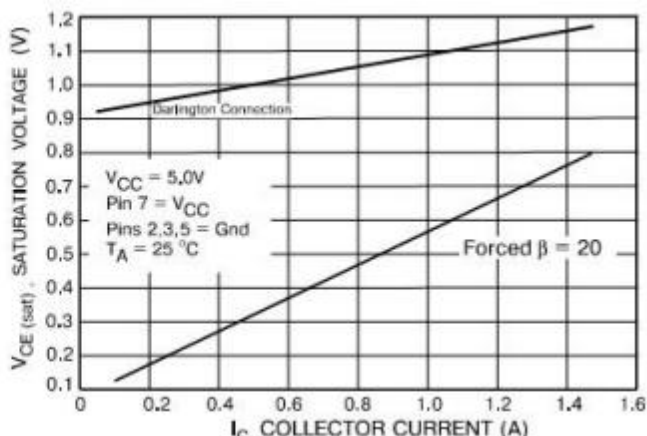


Fig.4. Common emitter configuration output saturation voltage versus Collector current

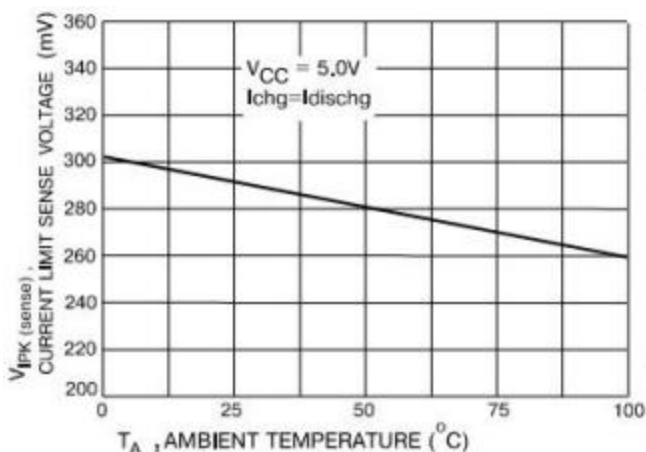


Fig.5. Current limit sense voltage versus Temperature

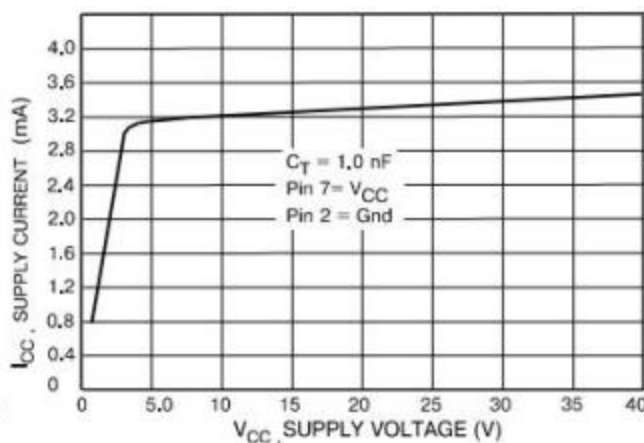
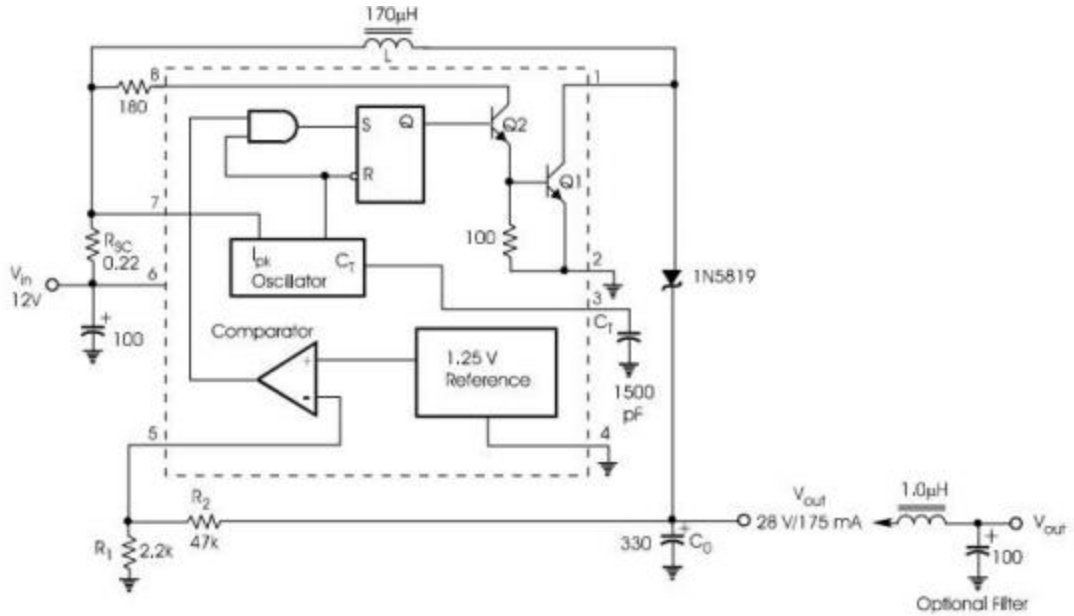


Fig.6. Standby supply current versus Supply voltage

**APPLICATION INFORMATION**

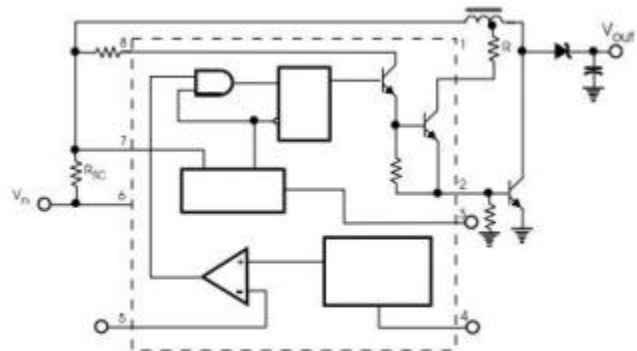
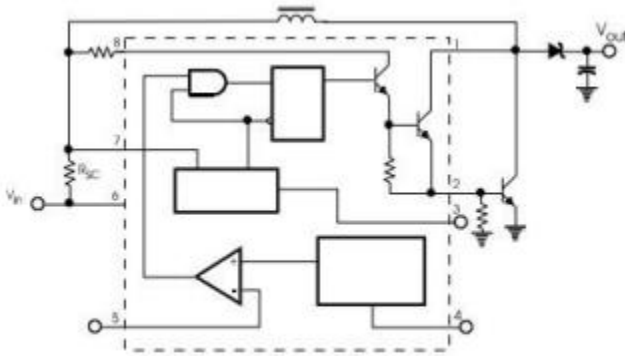
**Fig.1. Step-up converter**



**Fig.2. External current boost connections for IC Peak greater than 1.5A**

**2a. External NPN switch**

**2b. External NPN saturated switch**



Note: R → 0 at constant VIN

Fig.3. Step-down Converter

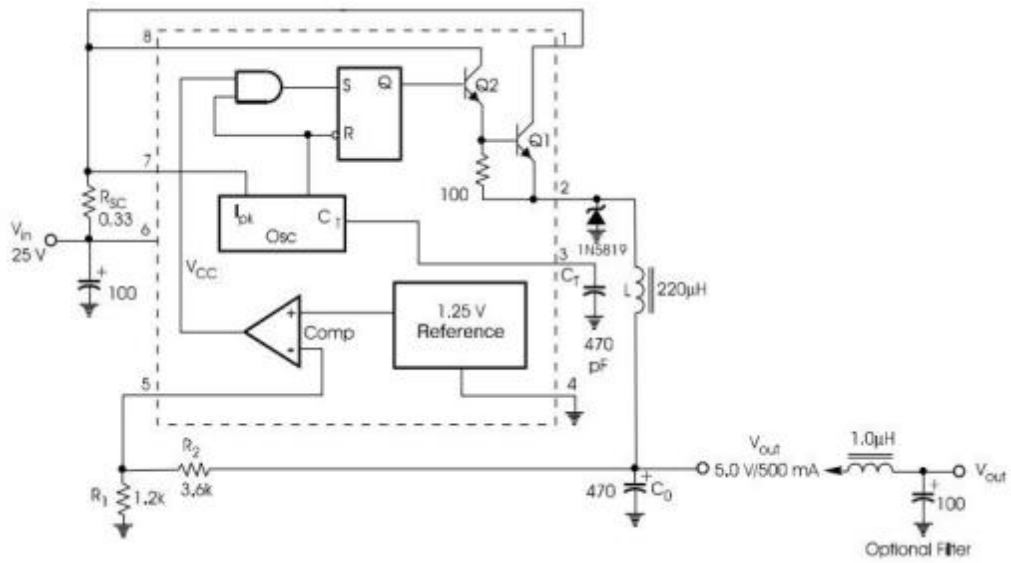


Fig.4. External current boost connections for  $I_{c\ Peak}$  greater than 1.5A

4a. External NPN switch

4b. External PNP saturated switch

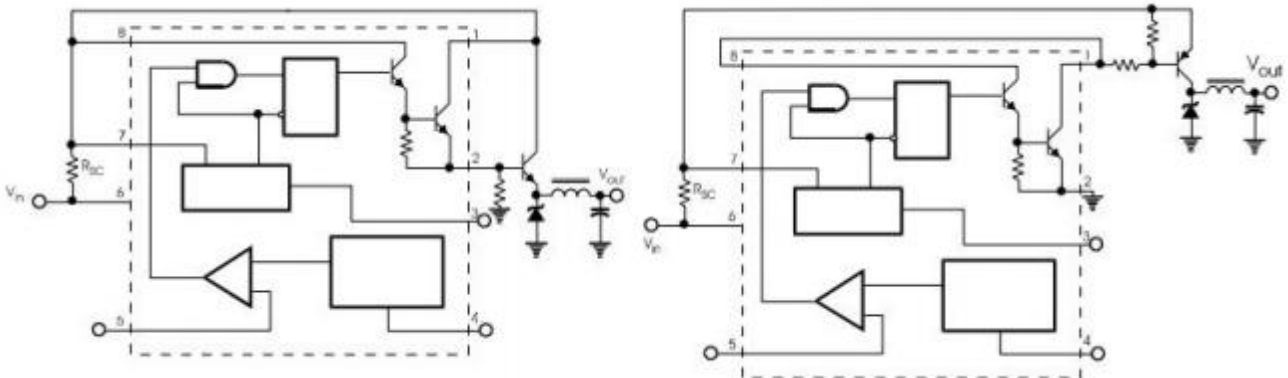


Fig.5. Voltage inverting converter

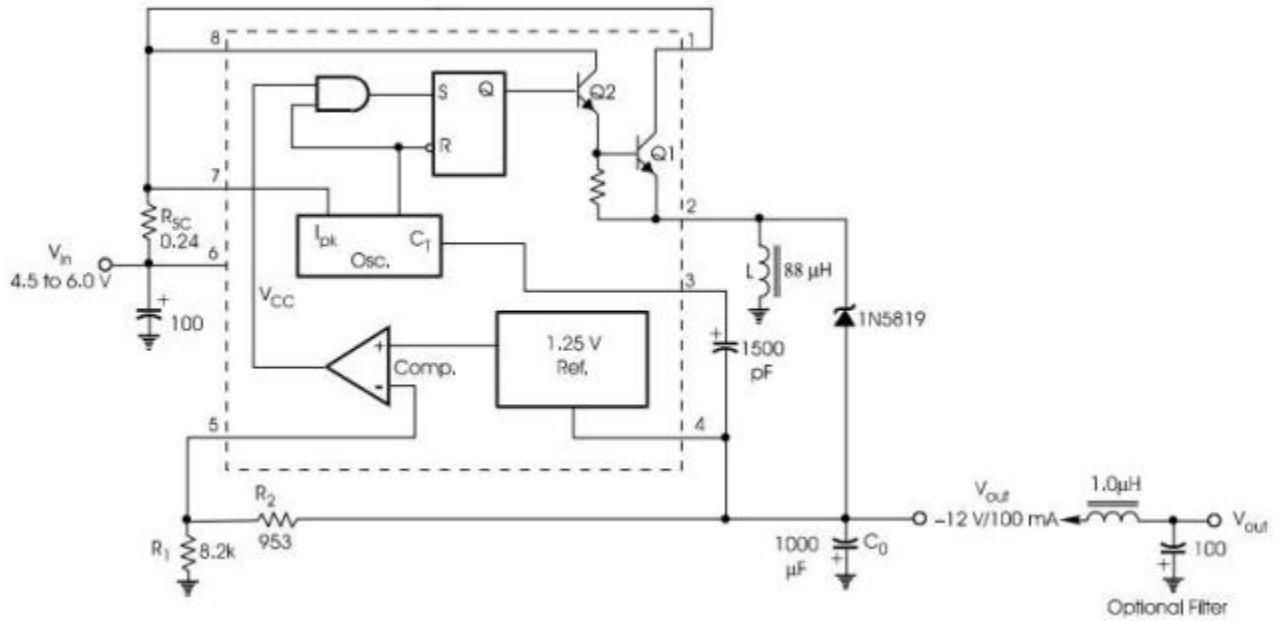
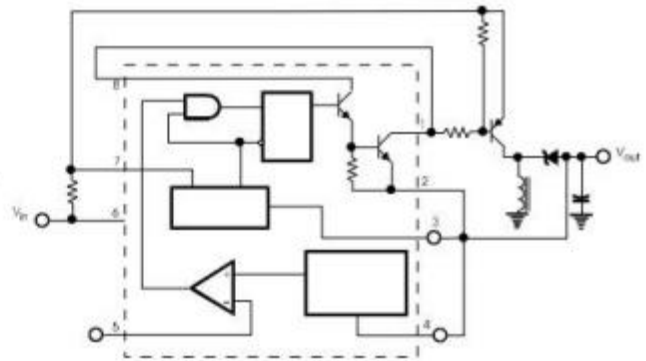
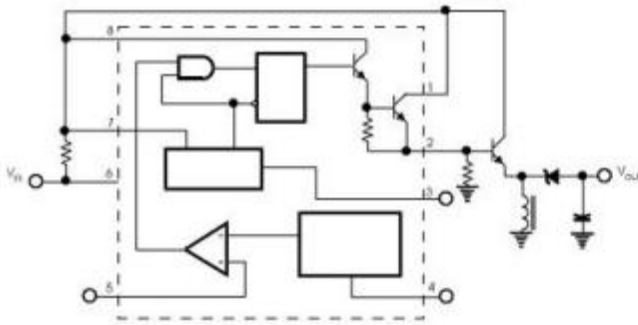


Fig.6. External current boost connections for  $I_{c\ Peak}$  greater than 1.5A

6a. External NPN switch

6b. External PNP saturated switch





## DESIGN FORMULA

Calculation	Step-up	Step-down	Voltage-inverting
ton	$\frac{V_{out} + V_F - V_{in(min)}}{V_{in(min)} - V_{sat}}$	$\frac{V_{out} + V_F}{V_{in(min)} - V_{sat}} = V_{out}$	$\frac{ V_{out}  + V_F}{V_{in} + V_{sat}}$
(ton + toff)max	$\frac{1}{f_{min}}$	$\frac{1}{f_{min}}$	$\frac{1}{f_{min}}$
C <sub>T</sub>	4.0 x 10 <sup>-5</sup> ton	4.0 x 10 <sup>-5</sup> ton	4.0 x 10 <sup>-5</sup> ton
I <sub>pk( switch )</sub>	2I <sub>out ( max )</sub> $\left( \frac{ton}{toff} + 1 \right)$	2I <sub>out ( max )</sub>	2I <sub>out ( max )</sub> $\left( \frac{ton}{toff} + 1 \right)$
R <sub>sc</sub>	0.3/I <sub>pk( Switch )</sub>	0.3/I <sub>pk( Switch )</sub>	0.3/I <sub>pk( Switch )</sub>
L (min)	$\left( \frac{V_{in(min)} - V_{sat}}{I_{pk ( switch )}} \right) \times ton(max)$	$\left( \frac{V_{in(min)} - V_{sat} - V_{out}}{I_{pk ( switch )}} \right) \times ton(max)$	$\left( \frac{V_{in(min)} - V_{sat}}{I_{pk ( switch )}} \right) \times ton(max)$
Co	$9 \frac{I_{out} ton}{V_{ripple( pp )}}$	$\frac{I_{pk( switch )} ( ton + toff )}{8V_{ripple( pp )}}$	$9 \frac{I_{out} ton}{V_{ripple( pp )}}$

### TERMS AND DEFINITIONS

V<sub>sat</sub> – Saturation voltage of the output switch.

V<sub>F</sub> – Forward voltage drop of the output rectifier.

**The following power supply characteristics must be chosen:**

V<sub>in</sub> – Nominal input voltage.

V<sub>out</sub> – Desired output voltage,  $|V_{out}| = 1.25 \left( 1 + \frac{R_2}{R_1} \right)$

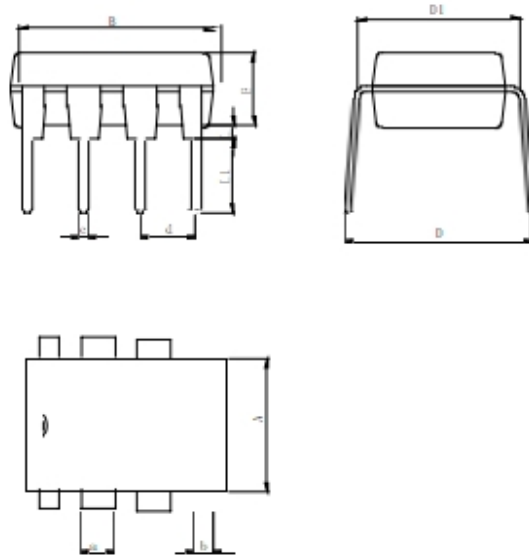
f<sub>min</sub> – Minimum desired output switching frequency at the selected values of V<sub>in</sub> and I<sub>out</sub>.

V<sub>ripple(p-p)</sub> – Desired peak-to-peak output ripple voltage. In practice, the calculated capacitor value will need to be increased due to its equivalent series resistance and board layout. The ripple voltage should be kept to a low value since it will directly affect the line and load regulation.



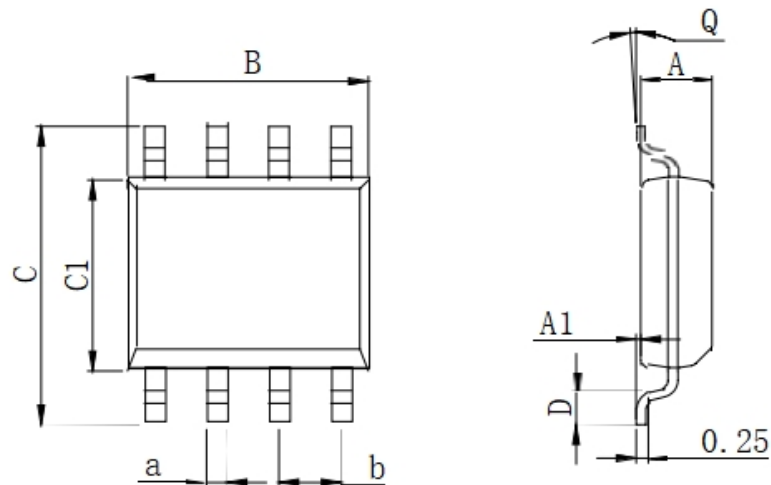
## Physical Dimensions

DIP-8



Dimensions In Millimeters(DIP-8)											
Symbol :	A	B	D	D1	E	L	L1	a	b	c	d
Min :	6.10	9.00	8.10	7.42	3.10	0.50	3.00	1.50	0.85	0.40	2.54 BSC
Max :	6.68	9.50	10.9	7.82	3.55	0.70	3.60	1.55	0.90	0.50	

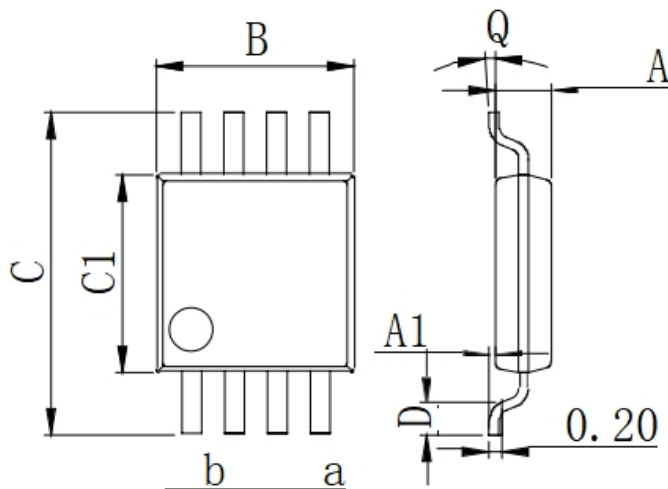
SOP-8 (150mil)



Dimensions In Millimeters(SOP-8)									
Symbol :	A	A1	B	C	C1	D	Q	a	b
Min :	1.35	0.05	4.90	5.80	3.80	0.40	0°	0.35	1.27 BSC
Max :	1.55	0.20	5.10	6.20	4.00	0.80	8°	0.45	

## Physical Dimensions

MSOP-8



Dimensions In Millimeters(MSOP-8)									
Symbol :	A	A1	B	C	C1	D	Q	a	b
Min :	0.80	0.05	2.90	4.75	2.90	0.35	0°	0.25	0.65 BSC
Max :	0.90	0.20	3.10	5.05	3.10	0.75	8°	0.35	